

HALBRAC SYSTEMS

**PO BOX 12-915, PENROSE AUCKLAND
NEW ZEALAND**

Phone: 64 9 5796-443; fax 64 9 5797-640

Email garyh@irlpipe.co.nz

Contents (Part 2)

www.irlpipe.co.nz

HBBE BLADE END.....	2
HANGER.....	3
HBCL CLEVIS.....	4
HBRH TWO PIECE PIPE CLAMP & ROD HANGER.....	5
Download Part 1 for information on:	
HB2P TWO PIECE PIPE CLAMP	
HBLP LINK PLATE	
HBCL CLEVIS	
HBEN EYE NUT	

Made in New Zealand

HALBRAC SYSTEMS

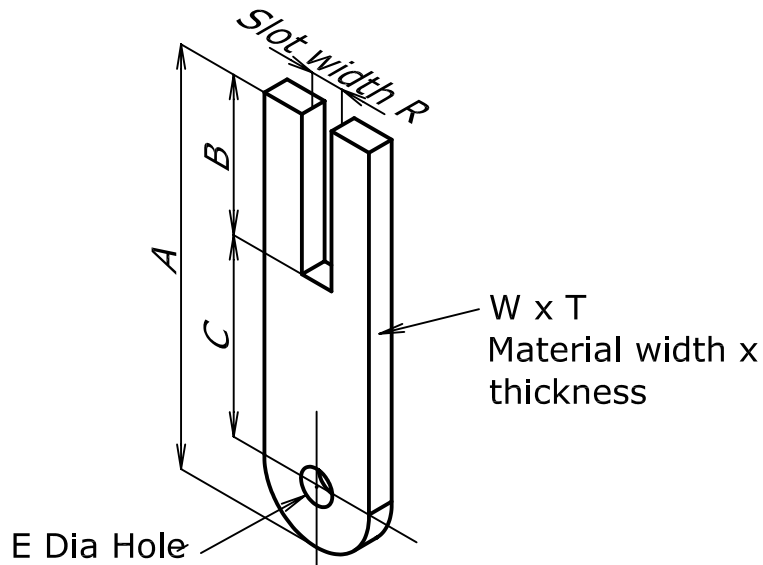
**PO BOX 12-915, PENROSE AUCKLAND
NEW ZEALAND**

Phone: 64 9 5796-443; fax 64 9 5797-640

Email garyh@irlpipe.co.nz

www.irlpipe.co.nz

HBBE BLADE END



PART No	NOMINAL PIPE		LOAD KGS	W x T	DIMENSIONS				
					A	B	C	E	R
HBBE15	15	1/2	90	25 x 5	75	25	40	7	7
HBBE20	20	3/4	200	25 x 5	90	35	40	9	9
HBBE25	25	1	200	25 x 5	90	35	40	9	9
HBBE32	32	1-1/4	200	25 x 5	90	35	40	9	9
HBBE40	40	1-1/2	320	25 x 5	105	40	50	11	11
HBBE50	50	2	320	25 x 5	105	40	50	11	11
HBBE65	65	2-1/2	320	30 x 5	105	40	50	11	11
HBBE80	80	3	420	30 x 5	120	50	50	13	13
HBBE100	100	4	420	30 x 5	120	50	50	13	13
HBBE125	125	5	420	40 x 6	120	50	50	13	13
HBBE150	150	6	420	40 x 6	155	65	65	13	13
HBBE200	200	8	650	50 x 10	165	65	65	22	22
HBBE250	250	10	1000	60 x 12	180	80	65	22	22
HBBE300	300	12	1000	60 x 12	180	80	65	22	22

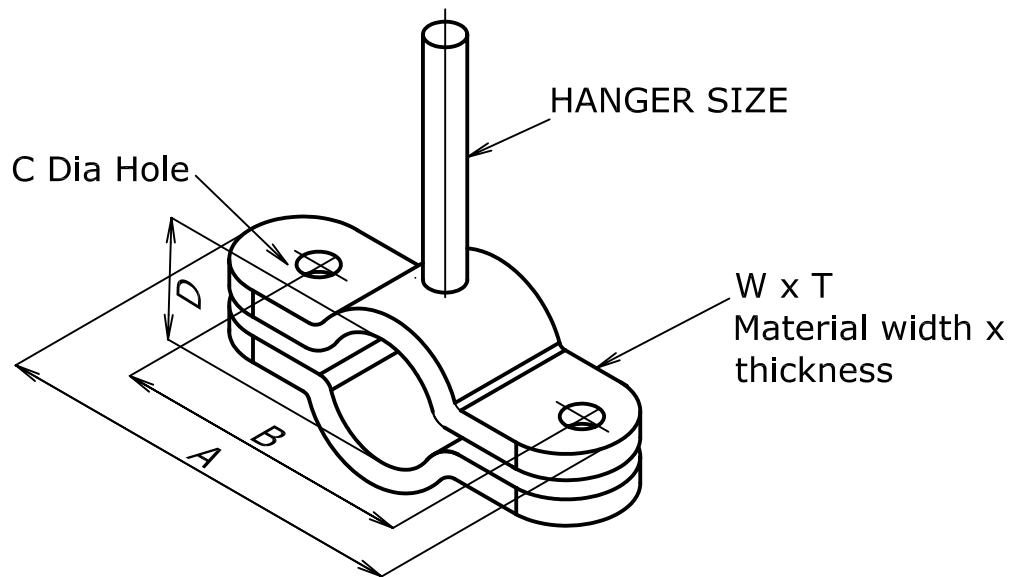
Made in New Zealand

HALBRAC SYSTEMS

**PO BOX 12-915, PENROSE AUCKLAND
NEW ZEALAND**

Phone: 64 9 5796-443; fax 64 9 5797-640
Email garyh@irlpipe.co.nz
www.irlpipe.co.nz

HANGER



PART No	NOMINAL PIPE		LOAD KGS	W x T	DIMENSIONS				BOLT SIZES	HANGER SIZES
					A	B	C	D		
HBPH15	15	1/2	90	25 x 5	73	54	7	22	M6x20	M8
HBPH20	20	3/4	200	25 x 5	80	57	9	27	M8x20	M10
HBPH25	25	1	200	25 x 5	86	65	9	34	M8x25	M10
HBPH32	32	1-1/4	200	25 x 5	108	83	9	42	M8x25	M10
HBPH40	40	1-1/2	320	25 x 5	120	96	11	49	M10x30	M12
HBPH50	50	2	420	25 x 5	135	110	11	60	M10x30	M12
HBPH65	65	2-1/2	420	30 x 5	160	131	11	73	M10x40	M12
HBPH80	80	3	420	30 x 5	178	146	13	89	M12x40	20NB or M12
HBPH100	100	4	420	30 x 5	200	168	13	115	M12x40	20NB or M12
HBPH125	125	5	420	40 x 6	236	196	13	142	M12x60	20NB or M12
HBPH150	150	6	420	40 x 6	274	232	14	169	M12x65	25NB or M16
HBPH200	200	8	650	50 x 10	374	325	22	220	M20x90	32NB or M16
HBPH250	250	10	1000	60 x 12	470	408	22	273	M20x90	40NB or M20
HBPH300	300	12	1000	60 x 12	520	460	24	324	M20x100	40NB or M20

Made in New Zealand

HALBRAC SYSTEMS

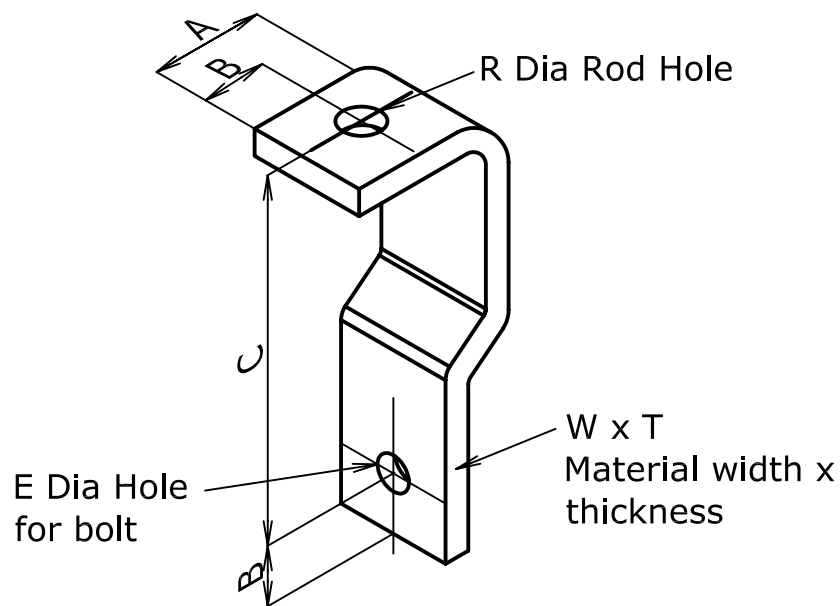
**PO BOX 12-915, PENROSE AUCKLAND
NEW ZEALAND**

Phone: 64 9 5796-443; fax 64 9 5797-640

Email garyh@irlpipe.co.nz

www.irlpipe.co.nz

HBCL CLEVIS



PART No	NOMINAL PIPE		LOAD KGS	W x T	DIMENSIONS				
					A	B	C	E	R
HBCL15	15	1/2	90	25 x 5	25	12	50	7	7
HBCL20	20	3/4	100	25 x 5	25	12	60	9	9
HBCL25	25	1	100	25 x 5	25	12	60	9	9
HBCL32	32	1-1/4	100	25 x 5	25	12	60	9	9
HBCL40	40	1-1/2	100	25 x 5	25	12	70	11	11
HBCL50	50	2	100	25 x 5	25	12	70	11	11
HBCL65	65	2-1/2	125	30 x 5	30	15	90	11	11
HBCL80	80	3	125	30 x 5	30	15	100	13	13

Made in New Zealand

HALBRAC SYSTEMS

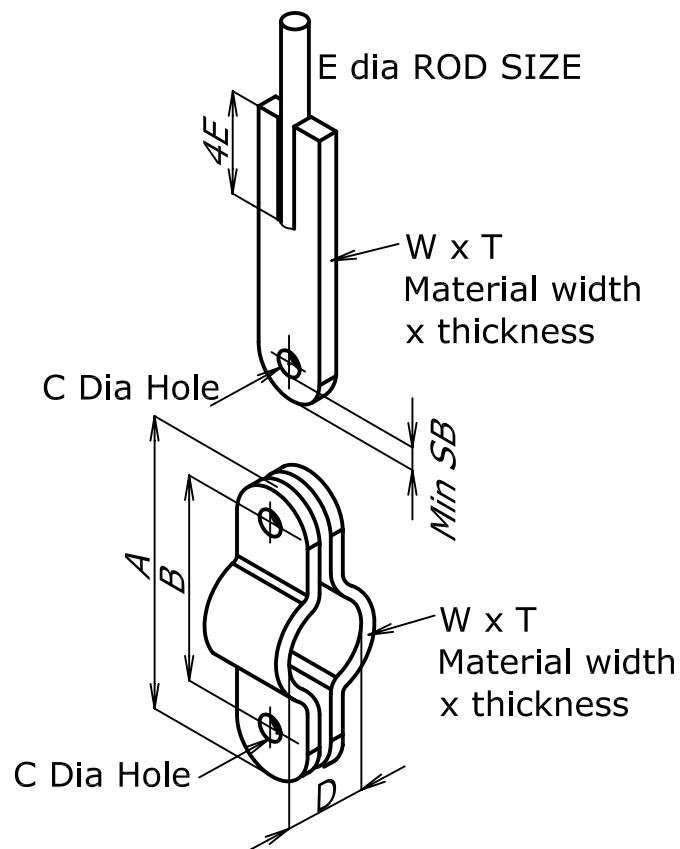
**PO BOX 12-915, PENROSE AUCKLAND
NEW ZEALAND**

Phone: 64 9 5796-443; fax 64 9 5797-640

Email garyh@irlpipe.co.nz

www.irlpipe.co.nz

HBRH TWO PIECE PIPE CLAMP & ROD HANGER



PART No	NOMINAL PIPE		LOAD KGS	W x T	DIMENSIONS				MIN SB	ROD SIZE	BOLT SIZE
					A	B	C	D			
HBRH15	15	1/2	90	25 x 5	73	54	7	22	6	M6	M6
HBRH20	20	3/4	200	25 x 5	80	57	9	27	7	M8	M8
HBRH25	25	1	200	25 x 5	86	65	9	34	7	M8	M8
HBRH32	32	1-1/4	200	25 x 5	108	83	9	42	7	M8	M8
HBRH40	40	1-1/2	320	25 x 5	120	96	11	49	9	M10	M10
HBRH50	50	2	320	25 x 5	135	110	11	60	9	M10	M10
HBRH65	65	2-1/2	320	30 x 5	160	131	11	73	9	M10	M10
HBRH80	80	3	420	30 x 5	178	146	13	89	12	M12	M12
HBRH100	100	4	420	30 x 5	200	168	13	115	12	M12	M12
HBRH125	125	5	420	40 x 6	236	196	13	142	12	M12	M12
HBRH150	150	6	420	40 x 6	270	232	14	169	12	M12	M12
HBRH200	200	8	650	50 x 10	374	325	22	220	21	M20	M20
HBRH250	250	10	1000	60 x 12	470	408	22	273	21	M20	M20
HBRH300	300	12	1000	60 x 12	520	460	24	324	21	M20	M20

Made in New Zealand