

HALBRAC SYSTEMS

**PO BOX 12-915, PENROSE AUCKLAND
NEW ZEALAND**

Phone: 64 9 5796-443; fax 64 9 5797-640

Email garyh@irlpipe.co.nz

Contents (Part 1)

www.irlpipe.co.nz

HB2P TWO PIECE PIPE CLAMP.....	2
HBLP LINK PLATE.....	3
HBEN EYE NUT.....	4

Download Part 2 for information on:

HBBE BLADE END

HANGER

HBCL CLEVIS

HBRH TWO PIECE PIPE CLAMP & ROD HANGER

HALBRAC SYSTEMS

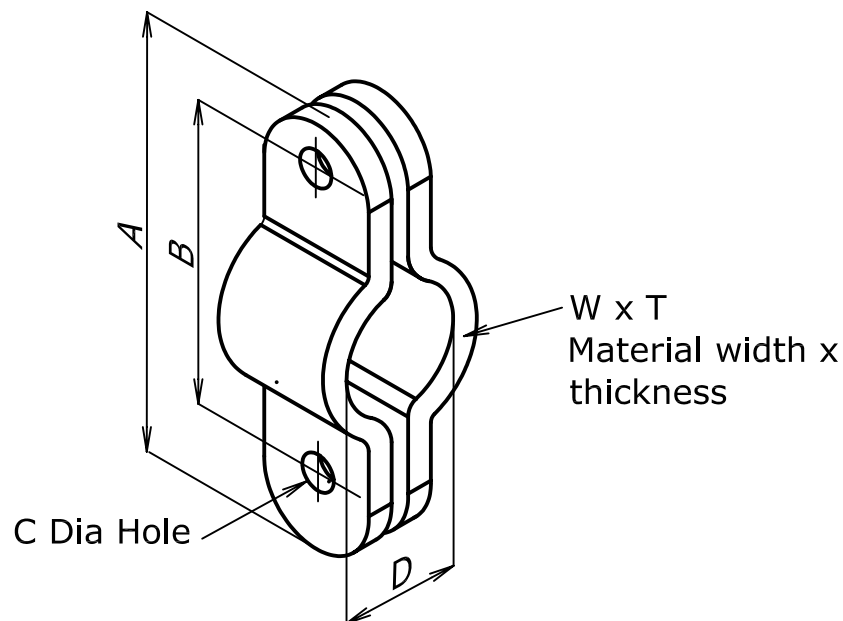
**PO BOX 12-915, PENROSE AUCKLAND
NEW ZEALAND**

Phone: 64 9 5796-443; fax 64 9 5797-640

Email garyh@irlpipe.co.nz

www.irlpipe.co.nz

HB2P TWO PIECE PIPE CLAMP



PART No	NOMINAL PIPE		LOAD KGS	W x T	DIMENSIONS				BOLT SIZES
					A	B	C	D	
HB2P15	15	1/2	200	25 x 5	73	54	7	22	M6x20
HB2P20	20	3/4	200	25 x 5	80	57	9	27	M8x20
HB2P25	25	1	200	25 x 5	86	65	9	34	M8x25
HB2P32	32	1-1/4	200	25 x 5	108	83	9	42	M8x25
HB2P40	40	1-1/2	320	25 x 5	120	96	11	49	M10x30
HB2P50	50	2	420	25 x 5	135	110	11	60	M10x30
HB2P65	65	2-1/2	420	30 x 5	160	131	11	73	M10x40
HB2P80	80	3	420	30 x 5	178	146	13	89	M12x40
HB2P100	100	4	420	30 x 5	200	168	13	115	M12x40
HB2P125	125	5	420	40 x 6	236	196	13	142	M12x60
HB2P150	150	6	420	40 x 6	270	223	14	169	M12x65
HB2P200	200	8	650	50 x 10	374	325	22	220	M20x90
HB2P250	250	10	1000	60 x 12	470	408	22	273	M20x90
HB2P300	300	12	1000	60 x 12	520	460	24	324	M20x100

Made in New Zealand

HALBRAC SYSTEMS

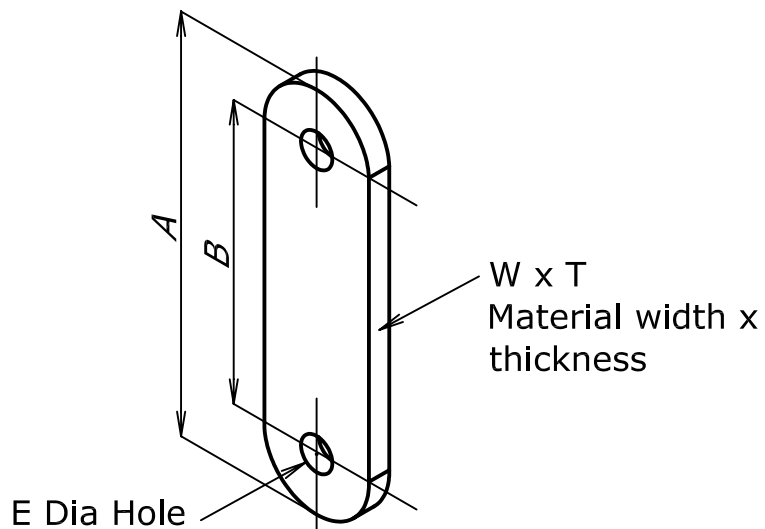
**PO BOX 12-915, PENROSE AUCKLAND
NEW ZEALAND**

Phone: 64 9 5796-443; fax 64 9 5797-640

Email garyh@irlpipe.co.nz

www.irlpipe.co.nz

HBLP LINK PLATE



PART No	NOMINAL PIPE		LOAD KGS	W x T	DIMENSIONS		
					A	B	E
HBLP15	15	1/2	90	25 x 5	95	75	7
HBLP20	20	3/4	200	25 x 5	125	100	9
HBLP25	25	1	200	25 x 5	125	100	9
HBLP32	32	1-1/4	200	25 x 5	125	100	9
HBLP40	40	1-1/2	320	25 x 5	145	115	11
HBLP50	50	2	320	25 x 5	145	115	11
HBLP65	65	2-1/2	320	30 x 5	160	130	11
HBLP80	80	3	420	30 x 5	190	150	13
HBLP100	100	4	420	30 x 5	190	150	13
HBLP125	125	5	420	40 x 6	190	150	13
HBLP150	150	6	420	40 x 5	210	170	13
HBLP200	200	8	650	50 x 10	265	200	22
HBLP250	250	10	1000	60 x 12	315	250	22
HBLP300	300	12	1000	60 x 12	370	300	22

Made in New Zealand

HALBRAC SYSTEMS

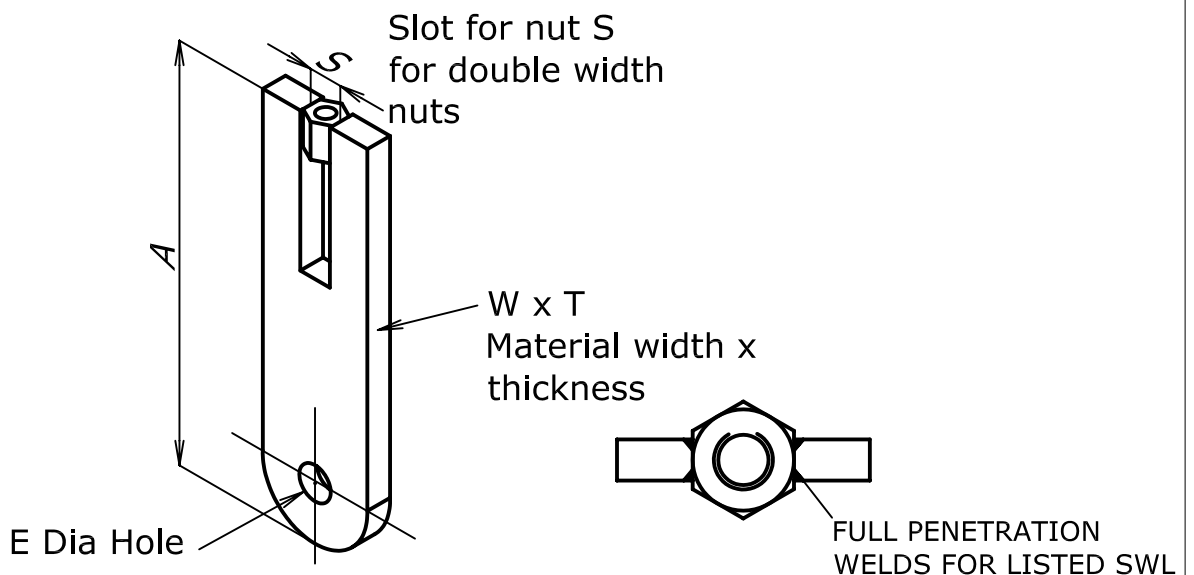
**PO BOX 12-915, PENROSE AUCKLAND
NEW ZEALAND**

Phone: 64 9 5796-443; fax 64 9 5797-640

Email garyh@irlpipe.co.nz

www.irlpipe.co.nz

HBEN EYE NUT



PART No	NOMINAL PIPE		LOAD KGS	W x T	DIMENSIONS				
					A	B	C	E	S
HBEN15	15	1/2	90	25 x 5	75	25	40	7	M6
HBEN20	20	3/4	200	25 x 5	90	35	40	9	M8
HBEN25	25	1	200	25 x 5	90	35	40	9	M8
HBEN32	32	1-1/4	200	25 x 5	90	35	40	9	M8
HBEN40	40	1-1/2	320	25 x 5	105	40	50	11	M10
HBEN50	50	2	320	25 x 5	105	40	50	11	M10
HBEN65	65	2-1/2	320	30 x 5	105	40	50	11	M10
HBEN80	80	3	420	30 x 5	120	50	50	13	M12
HBEN100	100	4	420	30 x 5	120	50	50	13	M12
HBEN125	125	5	420	40 x 6	120	50	50	13	M12
HBEN150	150	6	420	40 x 6	155	65	65	13	M12
HBEN200	200	8	650	50 x 10	165	65	65	22	M20
HBEN250	250	10	1000	60 x 12	165	65	65	22	M20
HBEN300	300	12	1000	60 x 12	165	65	65	22	M20

Made in New Zealand